

MIXSYS VERTICAL MIXERS & SILOS

ADAPTIVE MIXING TECHNOLOGY



MODELS TV & TX



VERTICAL MIXING SILOS

Model TV (made of painted carbon steel) and TX (made of stainless steel INOX AISI 304 or 316) have been designed and built to achieve the best possible mixing of plastic granules and regrind.

They are also suitable for coloring with master batch or pigments, and are available in a wide range of standard capacities from 0,5 to 28 m³, with larger capacities up to 100 m³.

TECHNICAL DATA

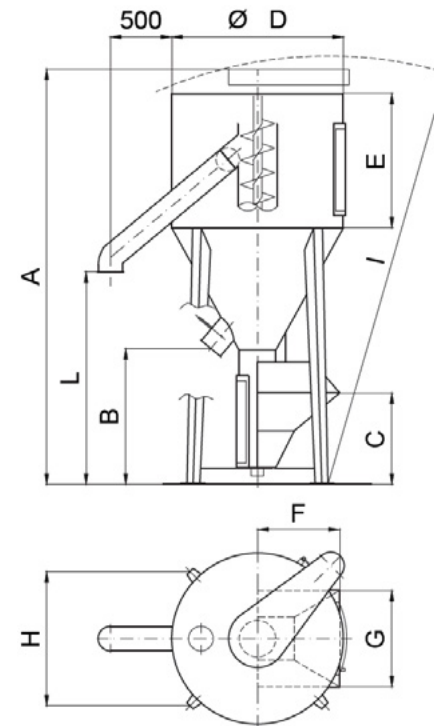
Mixing silo 3,5 m³ in stainless steel



Mixing silos 8 m³ with floor-mounted hopper for bulk bag reception & high level unloading pip for filling bags

STANDARD FEATURES

- Loading hopper with safety grate and raised edges on three sides to prevent spillage.
- Recycling/sampling mouth with manually operated valve to check the degree of mixing.
- Central screw with removable sections at the top and bottom which can be quickly and easily replaced in case of wear (from model TV/15000 on; from model TX/8000 on.)
- Hinged access door on cylinder.
- Door placed at the bottom of the screw pipe to empty the mixer completely with two hand wheels giving tool free access, and time delay safety interlock.
- On-board control panel.



TECHNICAL DATA mod.TV (painted carbon steel)													
Useful capacity		A	B	C	D	E	F	G	H	I	L	kW	weight Kg
Liters	Kg												
TV/500	300	2590	1165	670	1000	650	600	650	1170x1010	2705	--	1.5	320
TV/1000	600	2940	1165	670	1000	1000	600	650	1170x1010	3040	--	2.2	350
TV/1800	1000	3350	1175	700	1400	1100	650	750	1280	3465	--	4.0	560
TV/2500	1500	3765	1180	800	1700	1250	750	900	1510	3935	--	5.5	830
TV/3500	2000	4015	1180	800	1700	1500	750	900	1510	4175	1800	7.5	870
TV/5000	3000	4515	1180	800	1700	2000	750	900	1510	4660	2300	9.0	950
TV/8000	5000	4970	1180	800	2200	2000	750	900	1860	5145	2200	11.0	1440
TV/10000	6000	5470	1180	800	2200	2500	750	900	1860	5630	2700	11.0	1530
TV/12000	7200	5970	1180	800	2200	3000	750	900	1860	6105	3200	15.0	1620
TV/15000	9000	6115	1160	800	2500	3000	750	900	2090	6280	3150	15.0	1770
TV/16500	10000	6415	1160	800	2500	3300	750	900	2090	6575	3450	15.0	1820
TV/20000	12000	7200	1160	800	2500	4000	750	900	2090	7350	4150	15.0	2020
TV/28000	17000	7700	1170	830	2950	3800	750	900	2400	8200	4500	15.0	2900

TECHNICAL DATA mod.TX (stainless steel)													
Useful capacity		A	B	C	D	E	F	G	H	I	L	kW	weight Kg
Liters	Kg												
TX/500	300	2540	1070	670	1000	650	600	650	1240x1065	2680	--	1.5	310
TX/1000	600	2920	1175	700	1400	570	650	750	1220	3060	--	2.2	480
TX/1800	1000	3450	1175	700	1400	1100	650	750	1220	3600	--	4.0	550
TX/2500	1500	3555	1170	800	1900	700	750	900	1500	4000	--	5.5	860
TX/3500	2000	3905	1170	800	1900	1050	750	900	1500	4250	1500	7.5	910
TX/5000	3000	4505	1170	800	1900	1650	750	900	1500	4800	2100	9.0	1000
TX/8000	5000	4825	1170	800	2400	1500	750	900	1850	5000	2200	11.0	1320
TX/12000	7200	5725	1170	800	2400	2400	750	900	1850	6150	3100	15.0	1500
TX/16500	10000	6725	1170	800	2400	3400	750	900	1850	7100	4100	15.0	1700
TX/20000	12000	7550	1170	800	2400	4200	750	900	1850	7900	4900	15.0	2000
TX/28000	17000	7700	1170	830	2950	3800	750	900	2400	8200	4500	15.0	2900

Dimensions (in mm) and technical features are not binding.

OPTIONAL ACCESSORIES

- Large door on cylinder and cone (up to model TV-TX/12000) or additional door on the cone (from model TV-TX/165000 on); this option includes doors on the internal pipe for screw inspection and better access for cleaning.
- High-level unloading pipe mm. 250 (to fill directly from the mixer) available with either a manual or electro-pneumatically operated valve.
- Floor-mounted hopper mt. 1x1 with horizontal feeding screw, suitable for receiving products from big bags and conveying them into the mixer.
- Hinged cover on the loading hopper.
- Level indicators with visual and acoustic alarm.
- Special platform to allow the operator to access, and walk inside the mixer.
- Automatic greasing devices for upper and lower bearings.
- Internal vertical mixing screw made of long-life, wear-resistant carbon steel.
- Load cell weighing system with digital display, or electronic batching system.
- Inlets for suction probes.
- Lockable casters to allow movement (only up to model TV-TX/3500.)
- Timer mounted in the control panel.
- Execution in compliance with ATEX Directive 94/9/EC.



Mixing silo 45 m³ on load cells

EXAMPLE INSTALLATIONS





ADAPTIVE MIXING TECHNOLOGY

815.880.8669 | mix-sys.com | info@mix-sys.com

